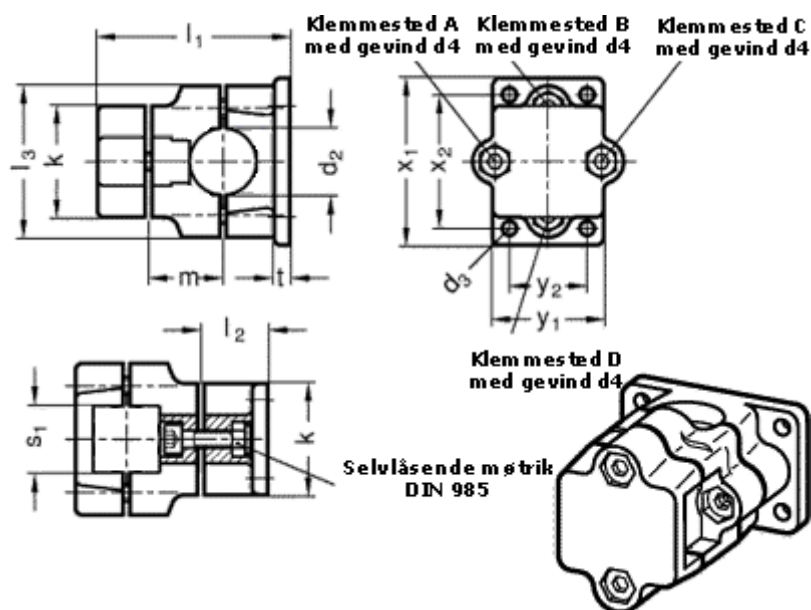


Article number: 20141V20B202SW

Description: E+G two-way connecting clamp
GN141-V20-B20-2-SW

Measures



Adjustable clamp lever = GN 911-M 8-35 have to be ordred separately

d_2 = 20

d_3 = 7

d_4 = M 8

k = 50

l_1 = 89

l_2 = 30

l_3 = 68

m = 36

s_1 = 20

t = 7

x_1 = 75

x_2 = 60

y_1 = 50

y_2 = 35